

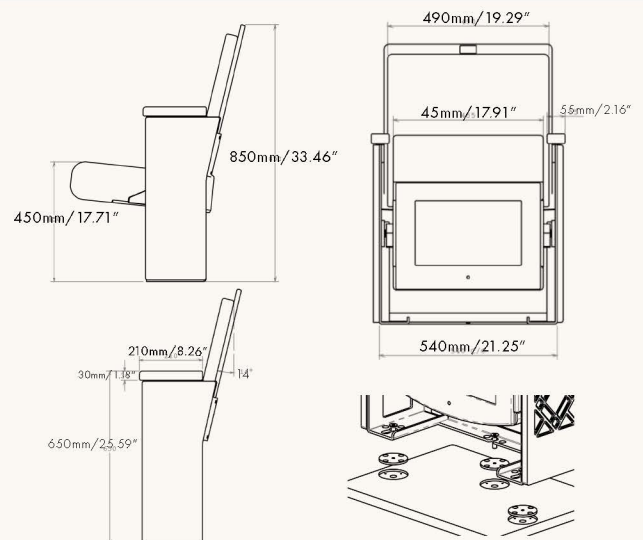
Carnaby

Designed for an ever-changing venue, our Carnaby Range offers a combination of luxury and versatility. Ideal for modern and multi-purpose spaces, this chair can be fitted with a variety of floor fixings to allow it to easily switch between auditorium layouts. Carnaby can also be customised to suit the aesthetic of most spaces.



ADDITIONAL INFORMATION

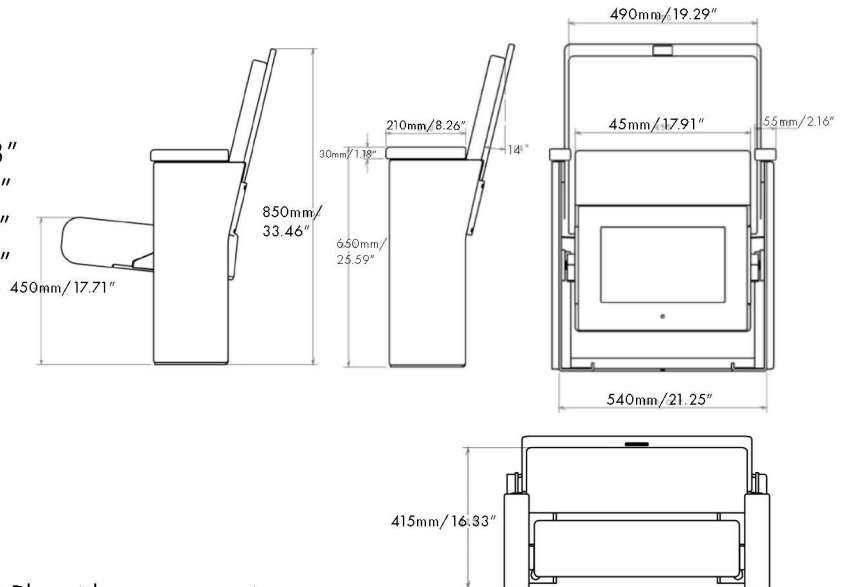
- Contemporary styling
- Custom laser-cut metalwork profiling
- Fixed and removable options
- Compact envelope
- Anti-finger trap tipping mechanism
- Optimised chair widths and back angles
- Magnetic Numbering
- Wood or metal row panels
- Stitching and leather capping upholstery techniques
- Optional metal coverings to hide floor plates



Carnaby

DIMENSIONS

- Centre: Made to Suit
- Backrest Height: 500mm/19.68"
- Seat Open Depth: 610mm/24.01"
- Seat Closed Depth: 415mm/16.33"
- Seat Height: 450mm/17.71"
- Arm Depth: 210mm/8.26"

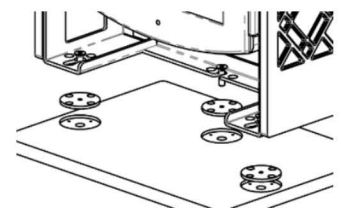


SPECIFICATIONS

- Seat Base: 12mm Polished Ply with veneer options
- Seat Foam: Advanced ProBax Comfort Technology
- Outer Back: 12mm Polished Ply
- Inner Back: 4mm Formed Ply
- Back foam: 24mm Foam
- Arm: Hardwood
- End Panel: Metal or Wood
- Type of Wood: Ply
- Wood Polish: Varies

METAL & FABRIC

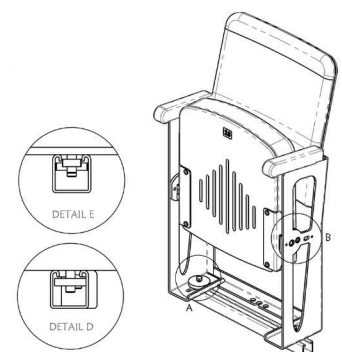
- Metalwork: Laser Cut Steel
- Metal Coating: Powdered
- Flammability: Crib 5
- Fabric Options: Please enquire



*Floor Fixing Mechanism

OPTIONS

- Embroidery options
- End of Row Lighting
- Seat or Back mounted Numbers
- Fixed, Flat Fold, or Removable design
- Removable designs fit flush to floor or Unistrut
- Leather, Upholstered or Wooden armrest
- Two Arms or Shared Arm options
- Wheelchair ADA removables
- Custom Wooden or Laser Cut metal End Panel design
- Recessed Magnetic Seat Numbers and Donor Plaques



*Unistrut Fixing Mechanism