

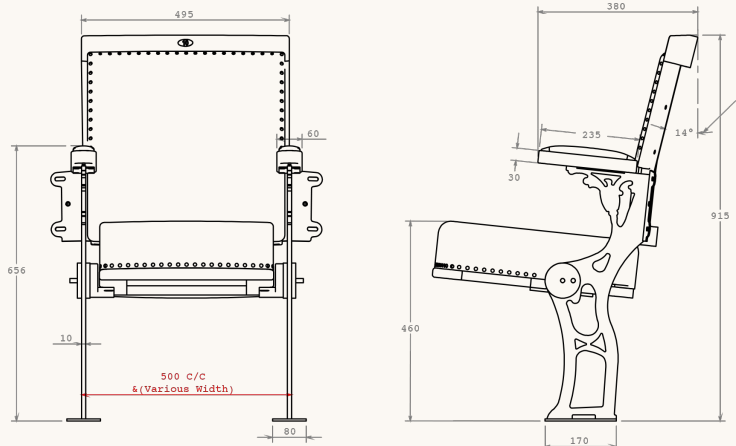
Regent Lazarus

The Regent Chair, also known as our Lazarus Chair, features the highest quality materials available on the market today. We have remastered the old 1904 Lazarus cast design and adapted it to meet modern standards of comfort. This range is best suited for historical auditoria, featuring cast ends and brass tack detailing.



ADDITIONAL INFORMATION

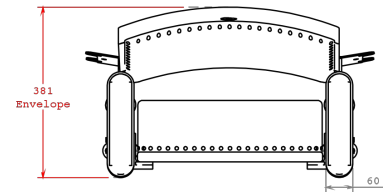
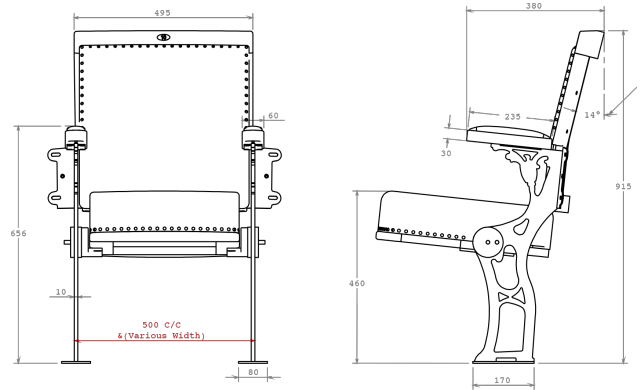
- Reminiscent heritage design
- Hand-placed brass tack detailing
- Lazarus or custom cast iron metalwork
- Traditional upholstery techniques
- Compact envelope
- Anti-finger trap seat bracket mechanisms
- Optimised chair widths and back angles
- Advanced ProBox Comfort Technology
- Made to match venue aesthetics



Regent Lazarus

DIMENSIONS

- Centre: Made to Suit
- Backrest Height: 450mm/17.72"
- Seat Open Depth: 570mm/22.44"
- Seat Closed Depth: 381mm/15.00"
- Seat Height: 460mm/18.11"
- Arm Depth: 235mm/9.25"
- Arm Height: 656mm/25.82"
- Chair Height: 915mm/36.02"



SPECIFICATIONS

- Seat Base: Hardwood Frame with Brass Tack Detailing
- Seat Foam: Advanced ProBax Comfort Technology
- Back Frame: Hardwood Frame with Brass Tack Detailing
- Back foam: 1" Foam with Side Panels
- Arm: Hardwood Outer with Upholstered Inner Panel
- Wood Polish: Client Choice of Colours

METAL & FABRIC

- Metalwork: Lazarus Cast
- Metal Coating: Thermoset Polymer Powdered Coating
- Metal Colour: Black or Gold
- Flammability: Crib 5 · BS 5852 · BS 7176 · CAL 117 NFPA 260 Class 1
- Fabric Options: Client Choice of Fabrics

UPGRADABLE OPTIONS

- End of row lighting
- Recessed seat numbers and donor plaques
- Embroidery options
- Fully upholstered or hardwood armrest
- Removable floor plate option
- Transfer arm and wheelchair ADA removables
- Stitch detailing in back panels
- Custom sized and shaped waymarking